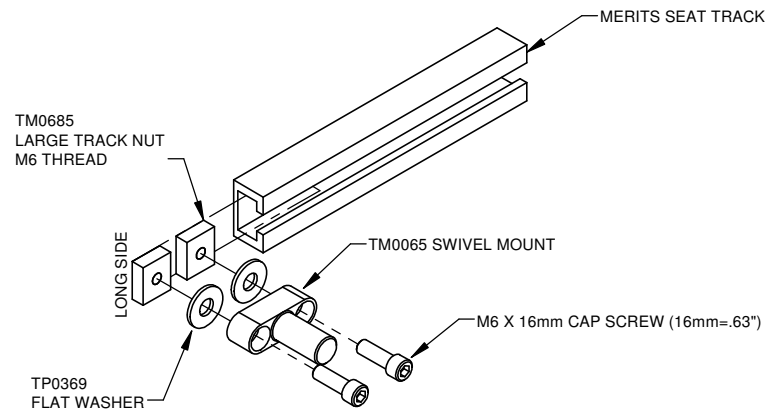


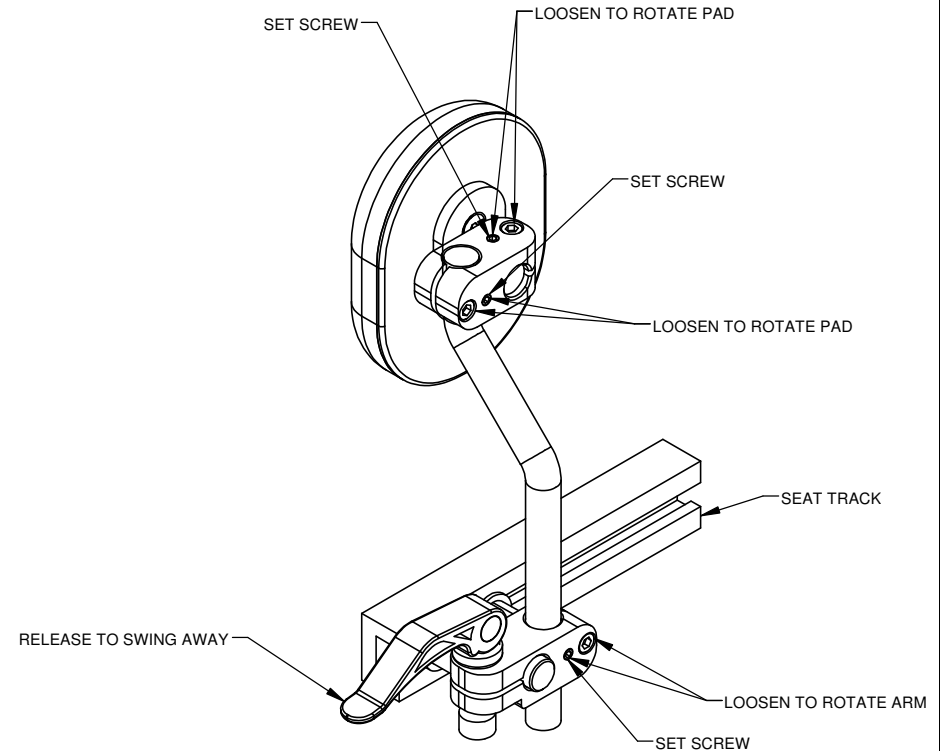
# INSTRUCTIONS - SRASF1-03, SWING AWAY ADDUCTOR

## 1. ASSEMBLE & POSITION SWIVEL MOUNT TO SEAT TRACK.



1. INSERT CAP SCREWS INTO SWIVEL MOUNT AND WASHERS AS SHOWN.
2. THREAD TRACK NUTS ONTO CAP SCREWS 1 TO 1 1/2 TURNS.
3. SLIDE TRACK NUTS INTO TRACK SLOTS AND POSITION SWIVEL CLAMP AS REQUIRED.
4. TIGHTEN CAP SCREWS TO SECURE SWIVEL MOUNT TO TRACK.

## 2. PLACE ADDUCTOR ASSEMBLY ONTO SWIVEL MOUNT AND ADJUST POSITION.



**USE CAP SCREWS TO ADJUST POSITIONS.**

**TIGHTEN SET SCREWS (3 PLACES) AFTER FINAL POSITIONS ARE DETERMINED.**